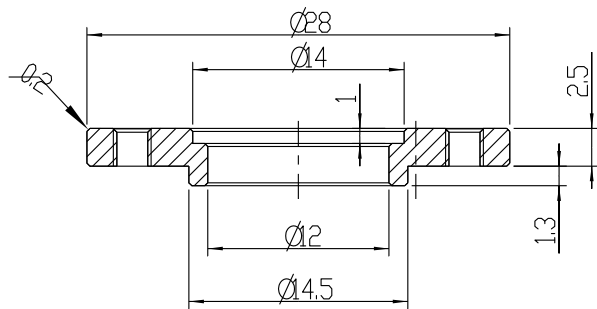
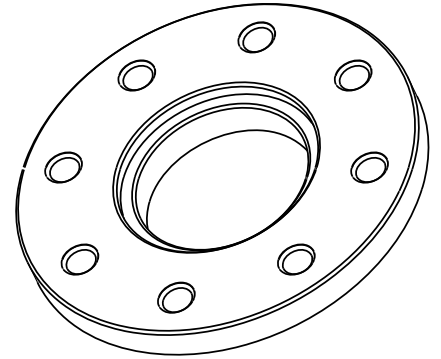
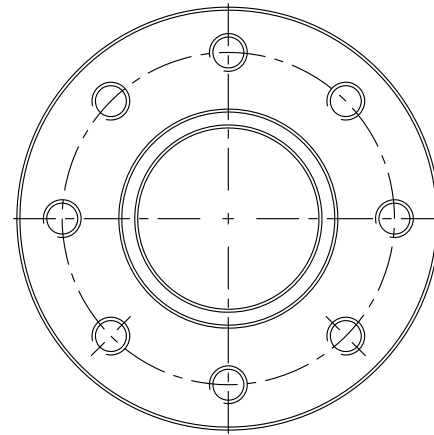


8-M2.5 TAP THRU
P.C.D. Ø22



[FOR REFERENCE ONLY]

Title	HN05-i1 / HN05-i101	Material	Scale	Unit	Sheet	
Date	11/07/2011		NONSCALE	mm	1 of 1	

A4