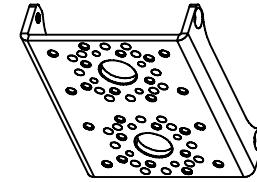
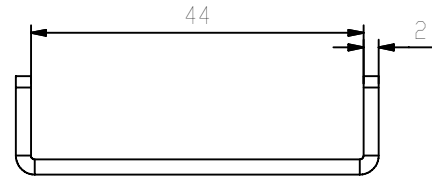
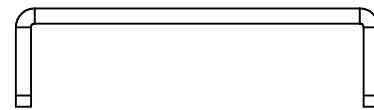
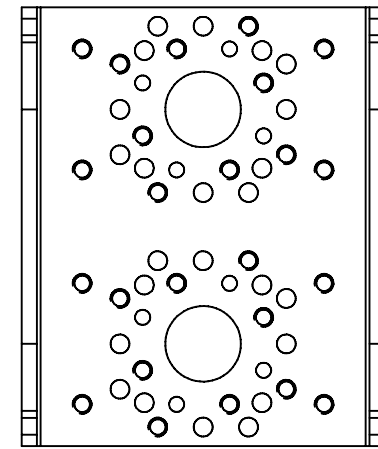
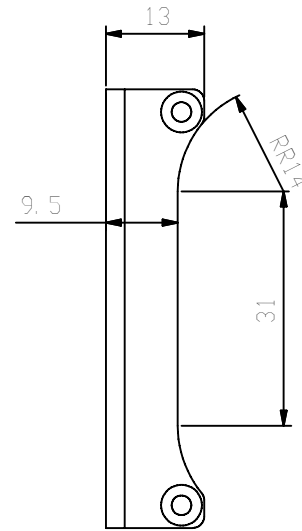
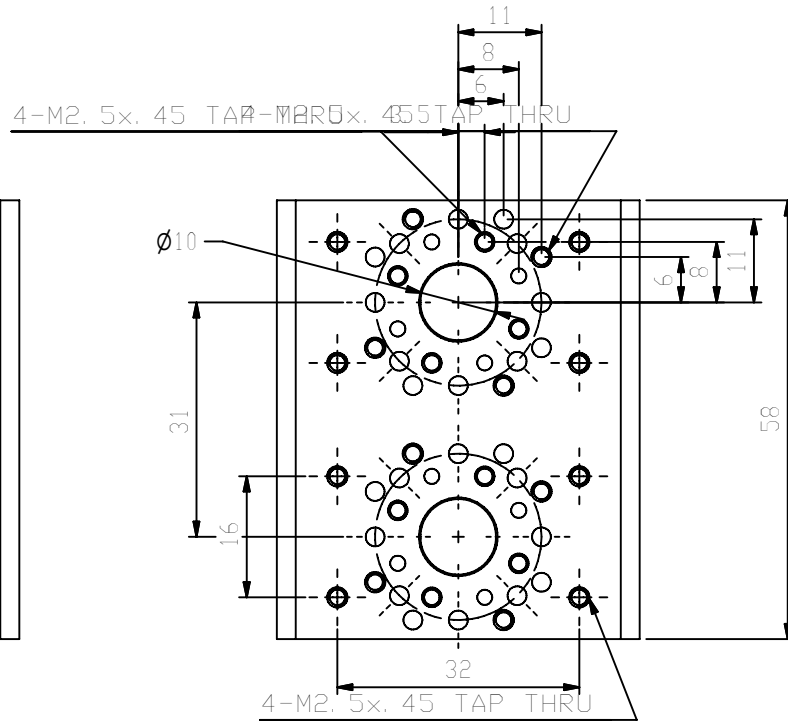


REV.	DESCRIPTION	CHK	DATE



SCALE 1/2



[ FOR REFERENCE ONLY ]

FR12-S101	Material	Scale	Unit	Sheet	<b>ROBOTS</b>
2017/11/22		Isoscale	mm	1 of 1	A4