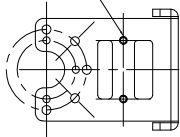
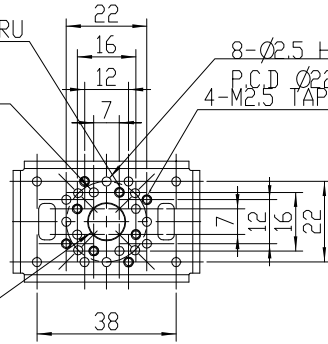


2-M2 TAP THRU



4-M2.5 TAP THRU

4-Ø2.5 HOLE THRU

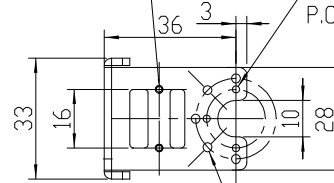


8-Ø2.5 HOLE THRU
P.C.D Ø22

4-M2.5 TAP THRU

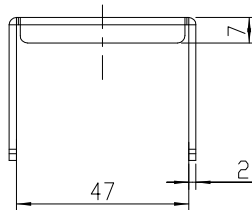
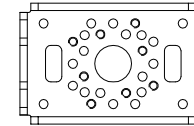
Ø10 HOLE THRU

2-M2 TAP THRU



3-Ø2 HOLE THRU
P.C.D Ø16

5-Ø2.5 HOLE THRU
P.C.D Ø22



[FOR REFERENCE ONLY]

Title		Material	Scale	Unit	Sheet	ROBOTS A4
FR05-H101		AL	NONSCALE	mm	1 of 1	
112-0077	Date					
	12/01/2009					