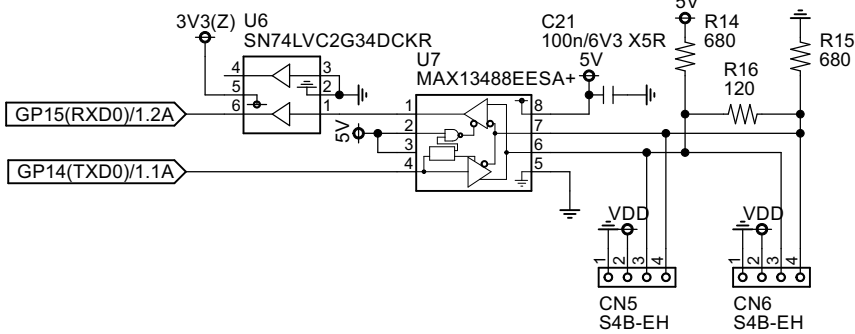
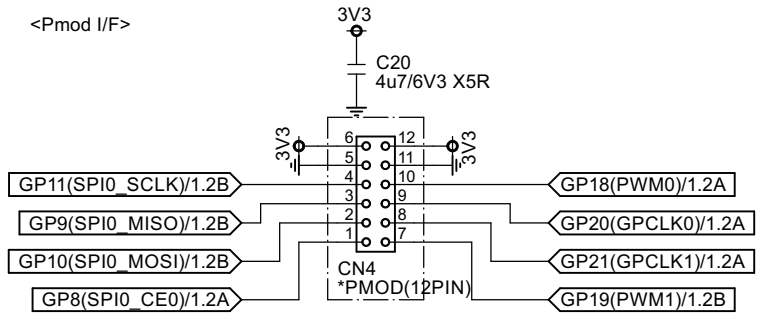


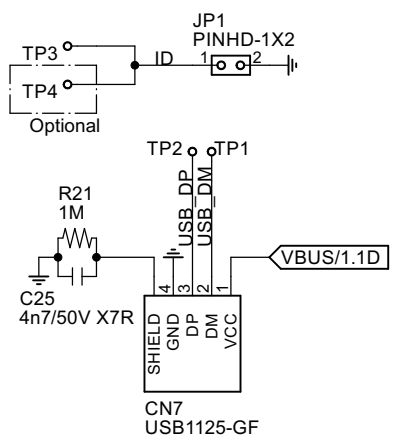
<RS-485 I/F>



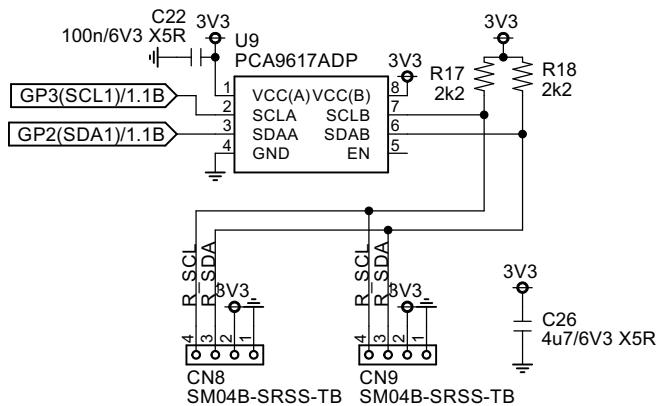
<Pmod I/F>



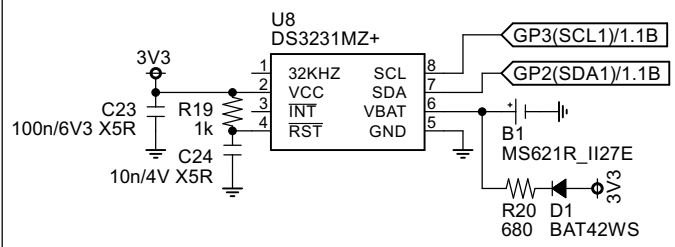
<USB I/F>



<I2C bus repeater>



<RTC>



\*JP1  
SHORT:DEVICE  
OPEN:HOST

\*TP1~4  
0906-0-15-20-76-14-11-0

TP1:USB DM  
TP2:USB DP  
TP3:USB ID(Zero 2 W)  
TP4:USB ID(Zero W)

Raspberry Pi Zero W/2W HAT	
TITLE: E212	REV:
Production order: Org.	
Date: 2024/04/05	Sheet: 2/2
<b>BestTechnology Co.,Ltd.</b>	