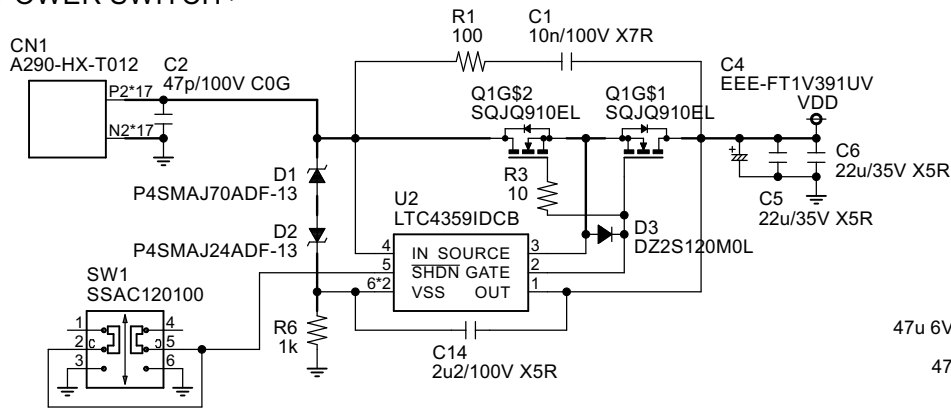
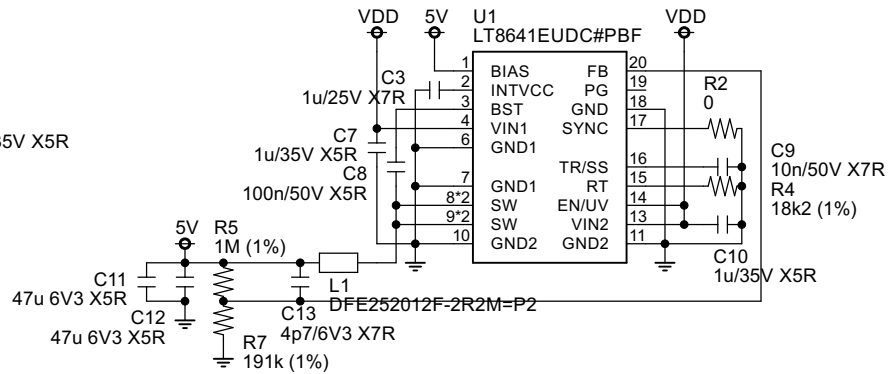


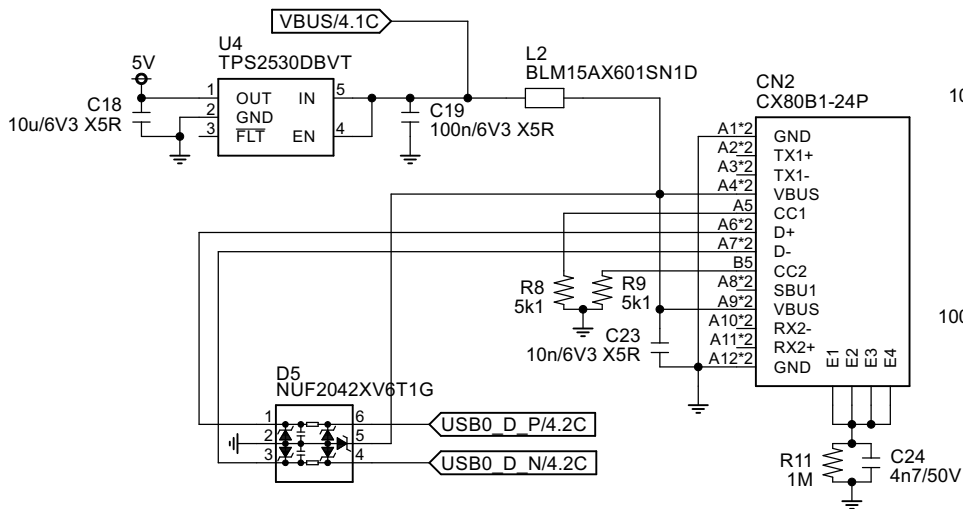
< POWER SWITCH >



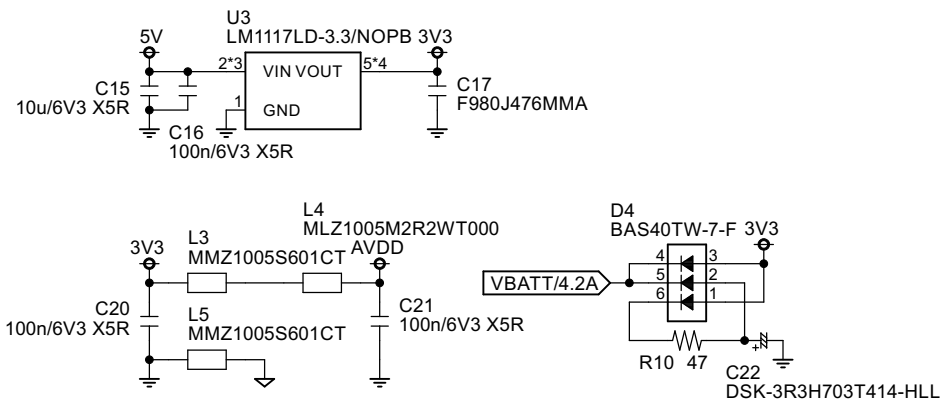
< 5V POWER SOURCE >



< USB I/F >



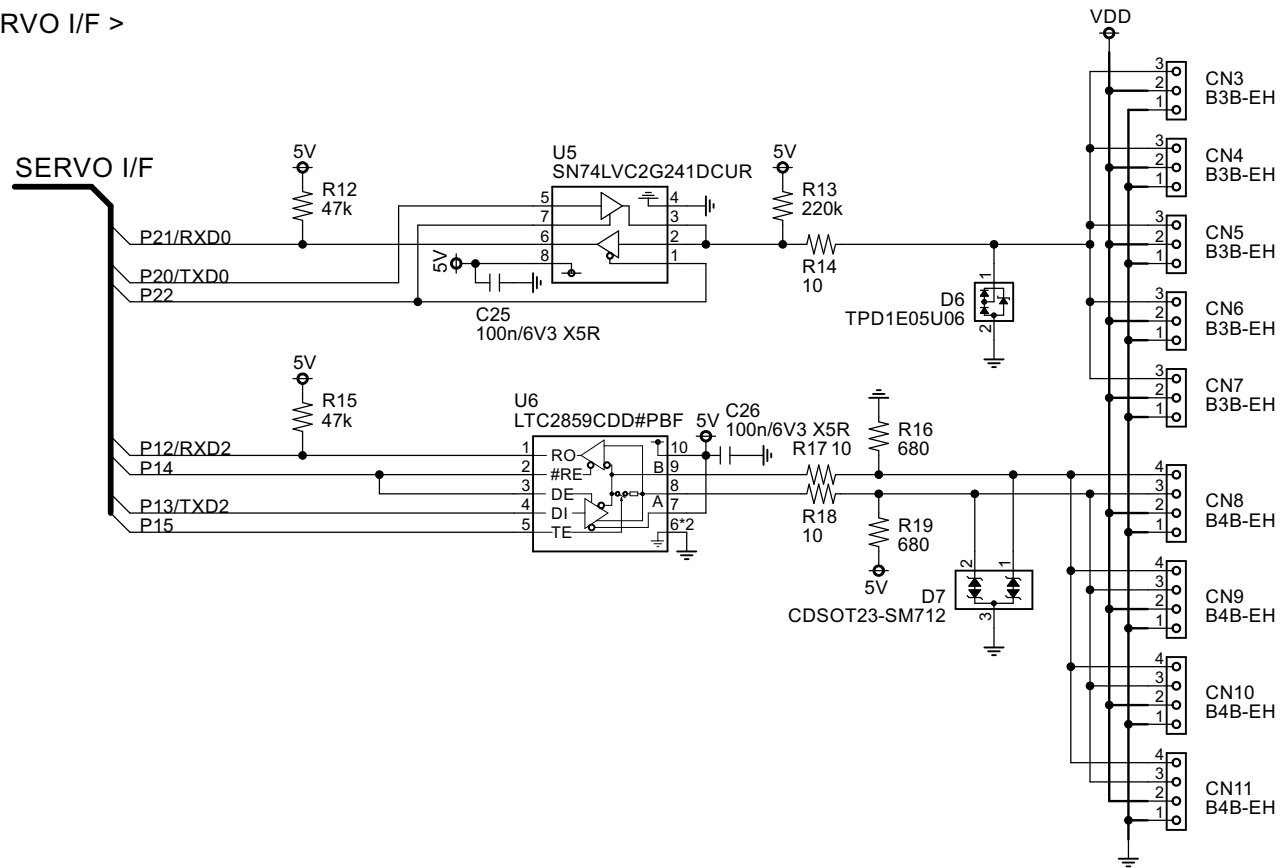
< 3.3V POWER SOURCE >



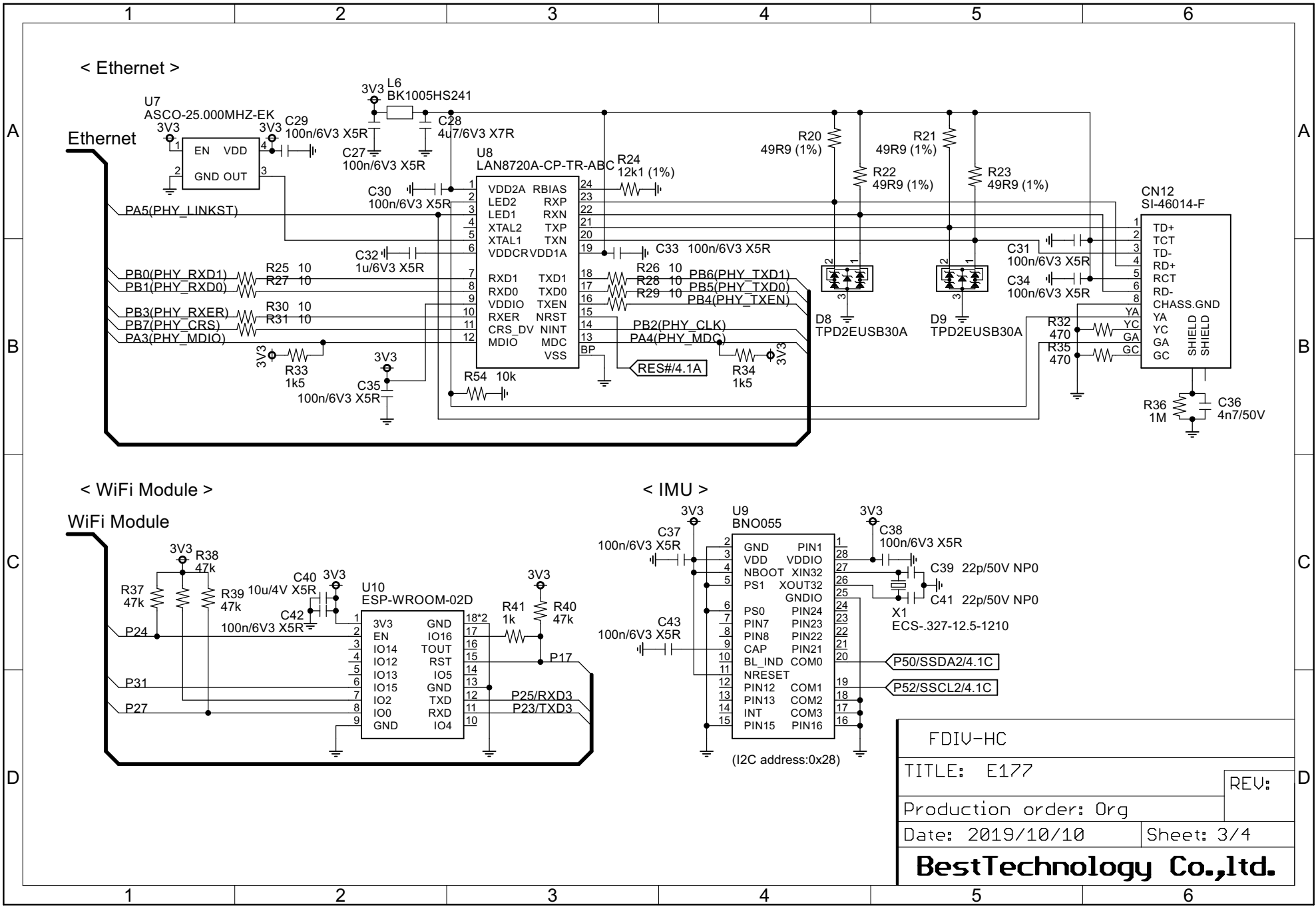
FDIU-HC	
TITLE: E177	REV:
Production order: Org	
Date: 2019/10/10	Sheet: 1/4
<b>BestTechnology Co.,Ltd.</b>	

Special Thanks to Gadget Renesas !!

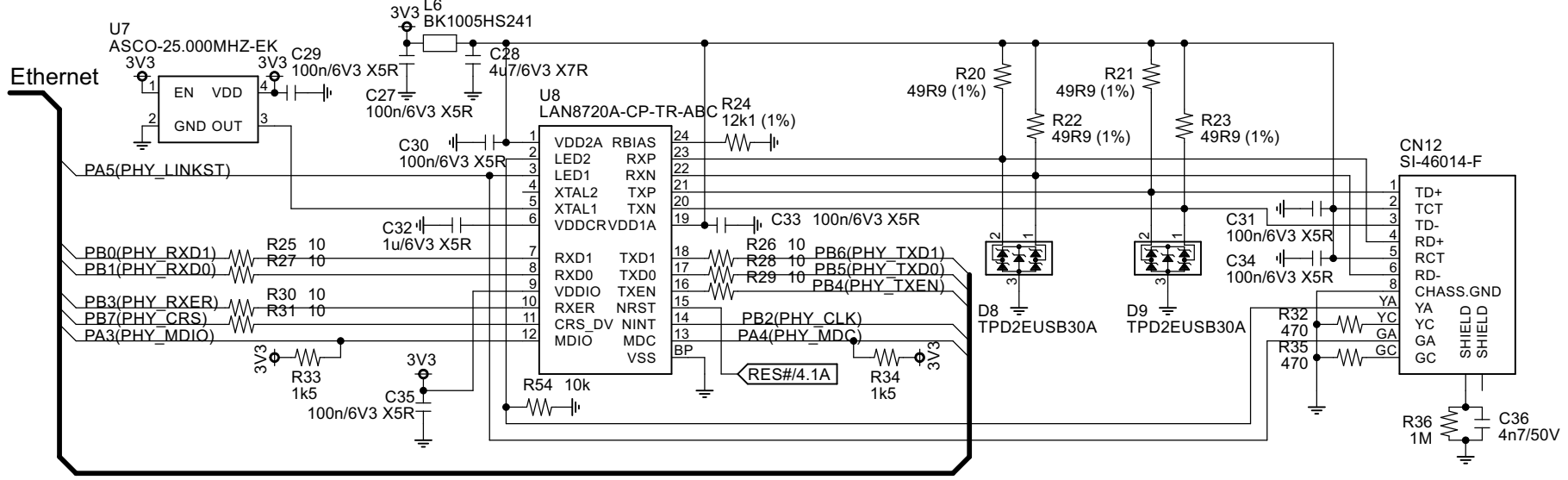
< SERVO I/F >



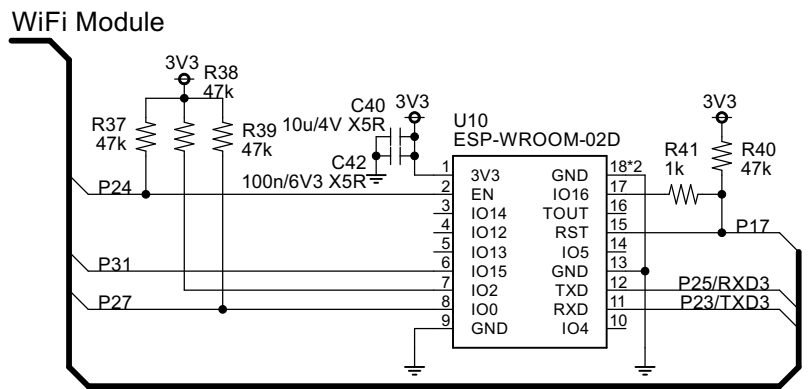
FDIU-HC	
TITLE: E177	REV:
Production order: Org	
Date: 2019/10/10	Sheet: 2/4
<b>BestTechnology Co.,ltd.</b>	



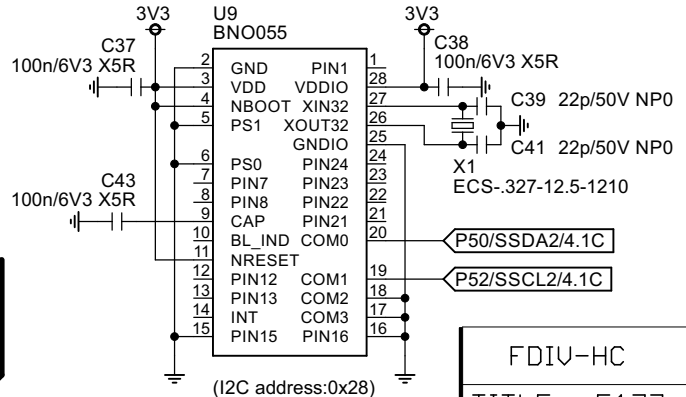
< Ethernet >



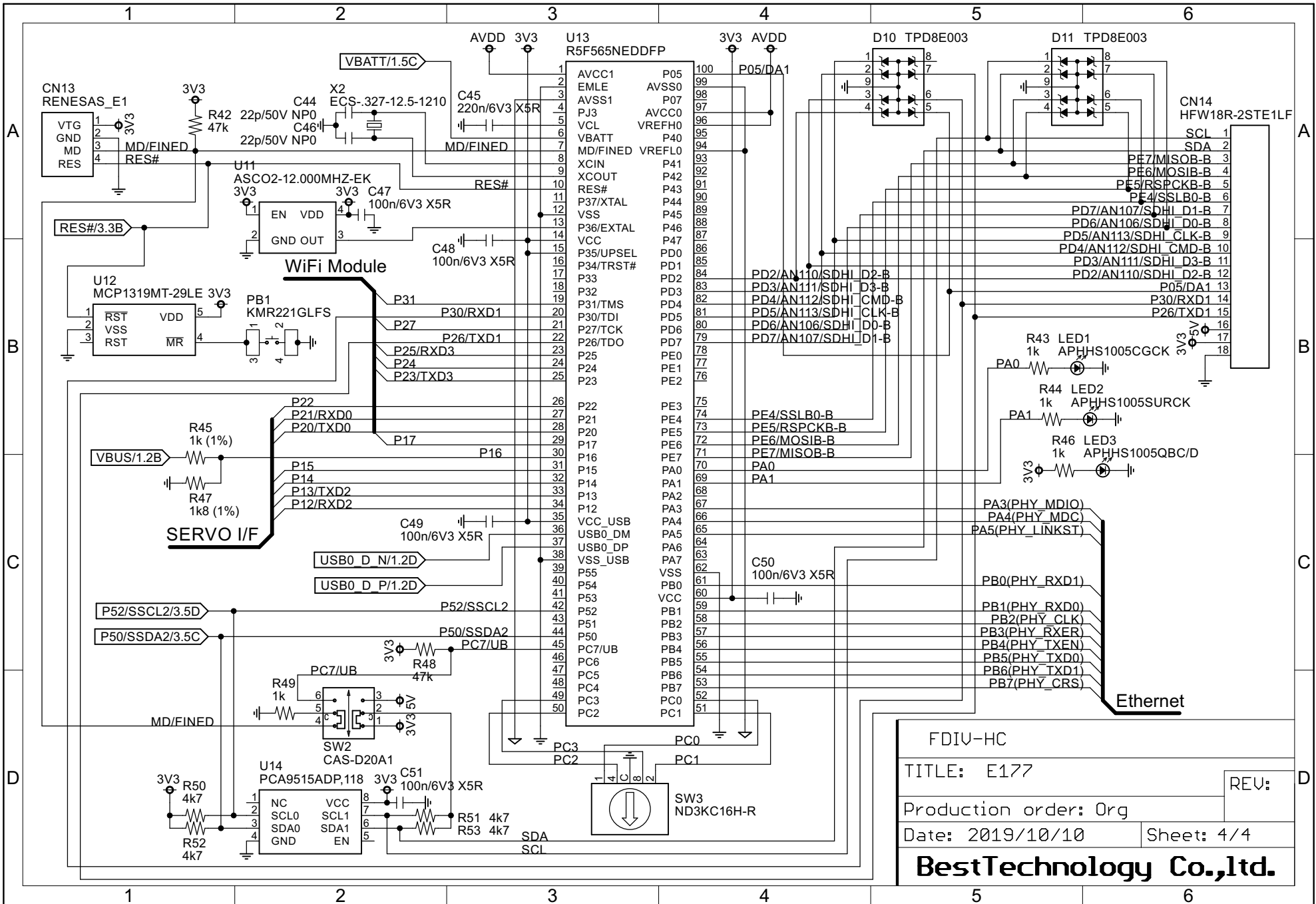
< WiFi Module >



< IMU >



FDIU-HC	
TITLE: E177	REV:
Production order: Org	
Date: 2019/10/10	Sheet: 3/4
<b>BestTechnology Co.,Ltd.</b>	



FDIU-HC	
TITLE: E177	
REV:	
Production order: Org	
Date: 2019/10/10	Sheet: 4/4
<b>BestTechnology Co.,Ltd.</b>	