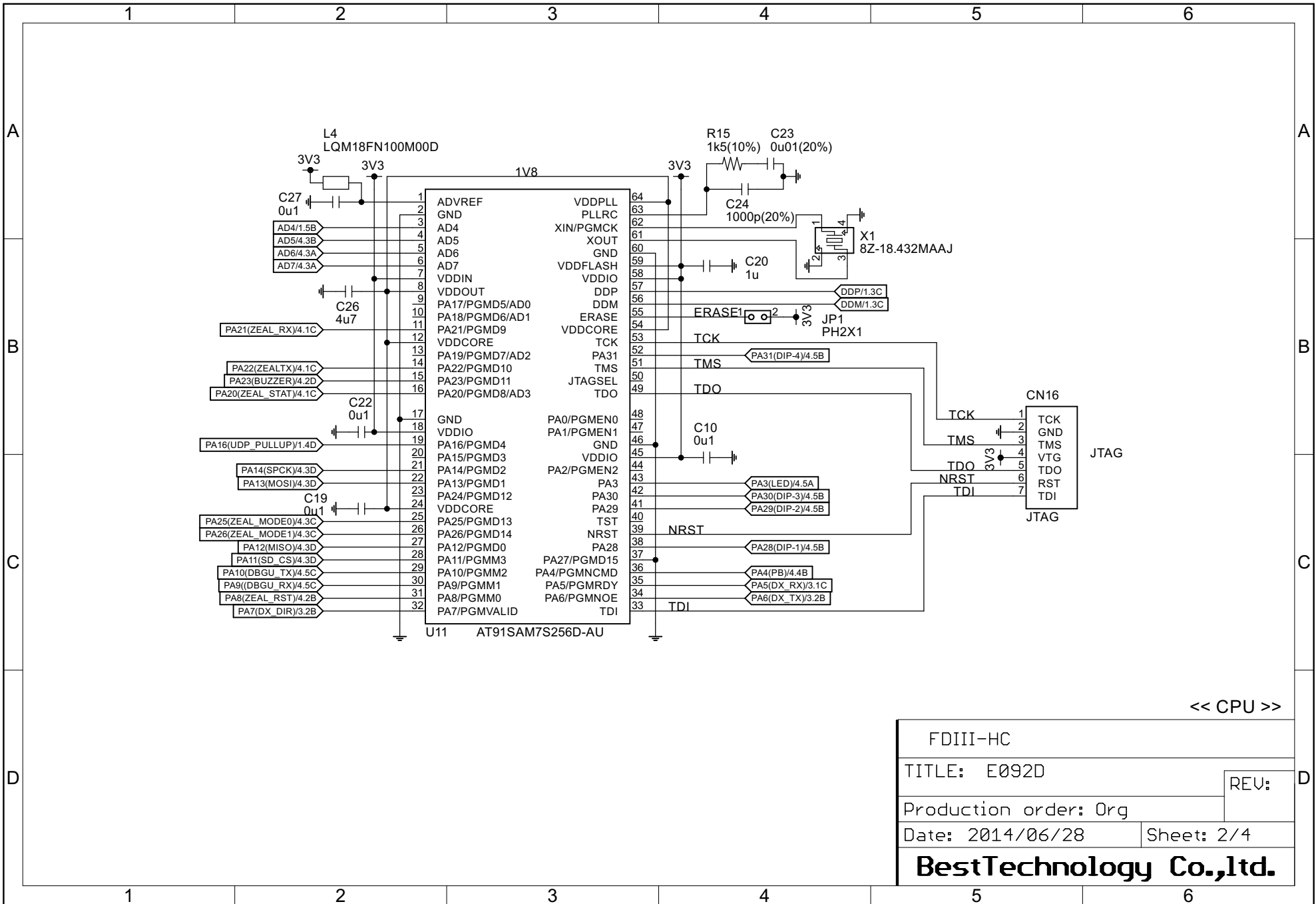


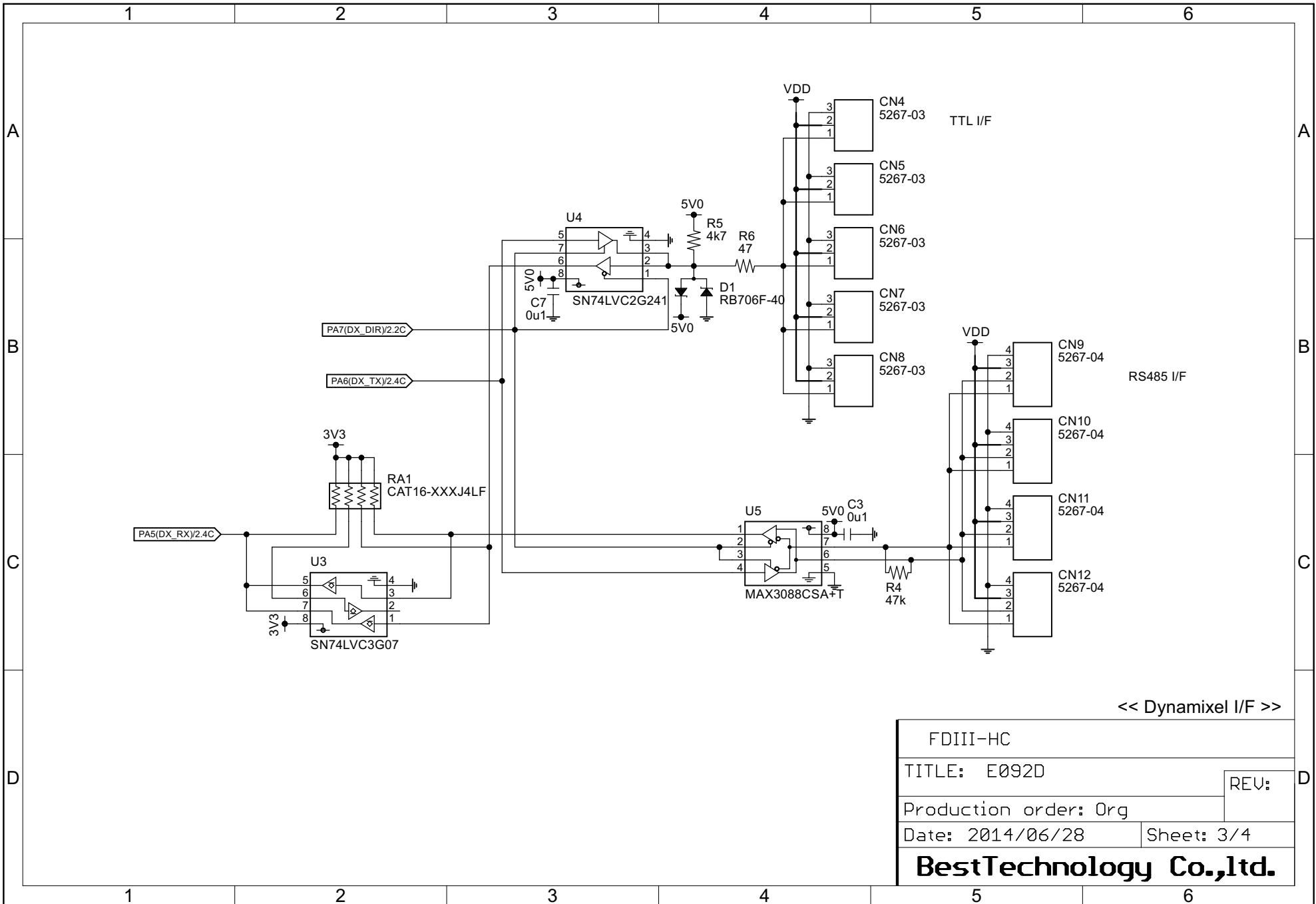
<<Power>>

FDIII-HC	
TITLE: E092D	
Production order: Org	
Date: 2014/06/28	Sheet: 1/4
BestTechnology Co.,Ltd.	



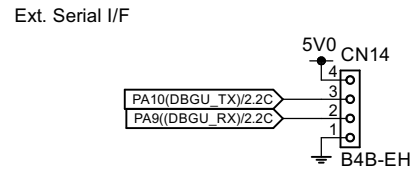
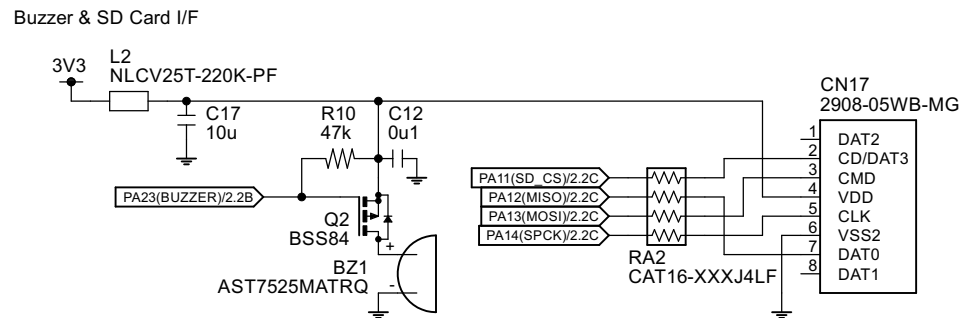
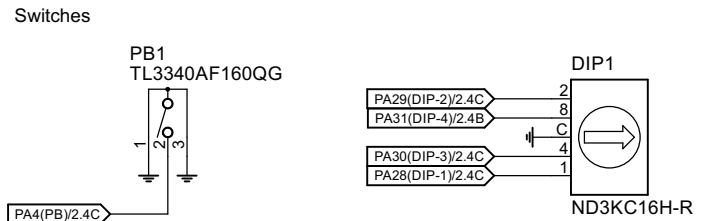
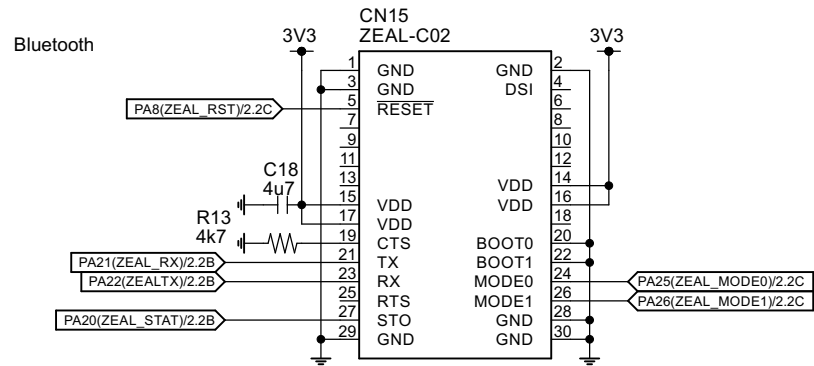
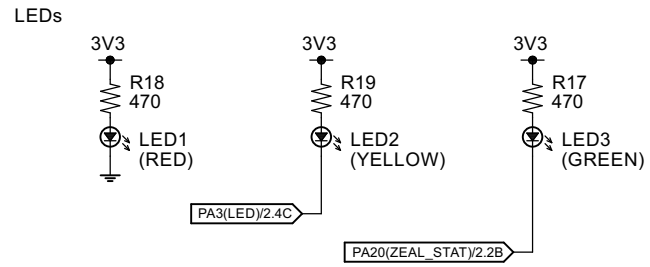
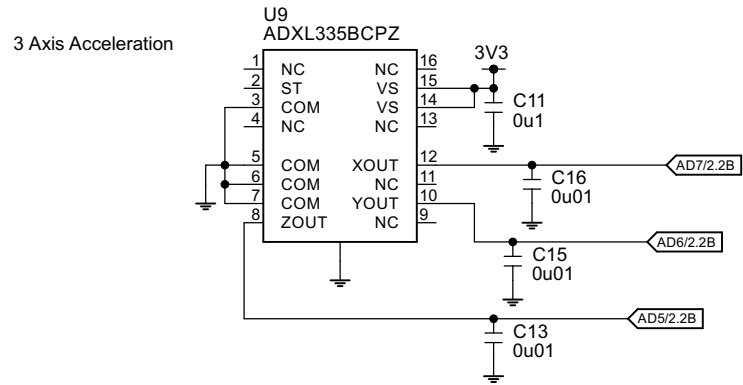
<< CPU >>

FDIII-HC	
TITLE: E092D	REV:
Production order: Org	
Date: 2014/06/28	Sheet: 2/4
BestTechnology Co.,Ltd.	



<< Dynamixel I/F >>

FDIII-HC	
TITLE: E092D	REV:
Production order: Org	
Date: 2014/06/28	Sheet: 3/4
BestTechnology Co.,ltd.	



<< MMI etc. >>

FDIII-HC	
TITLE: E092D	REV:
Production order: Org	
Date: 2014/06/28	Sheet: 4/4
BestTechnology Co.,Ltd.	