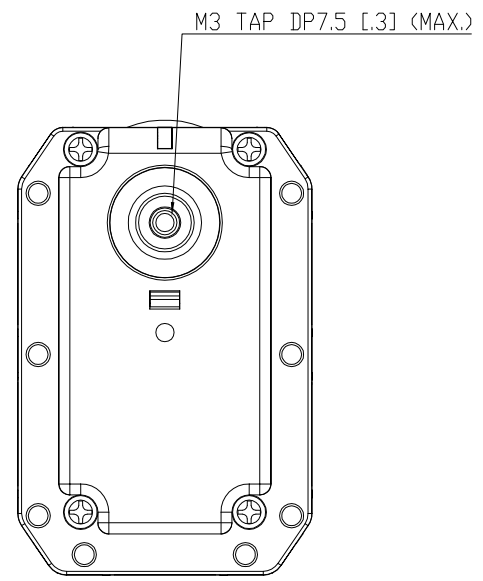
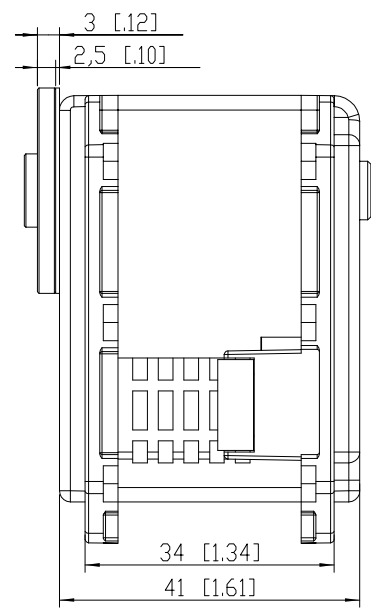
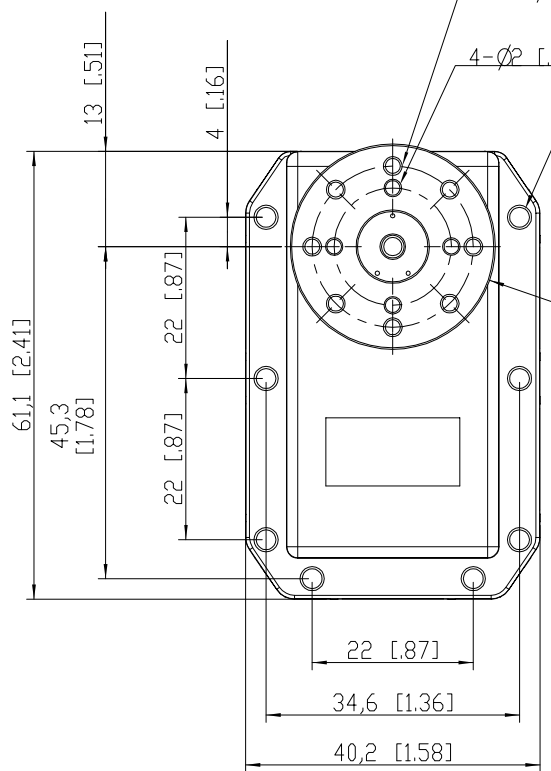


8-M2.5 TAP DP2.5 [.01]  
P.C.D.  $\varnothing$ 22 [.87]

4- $\varnothing$ 2 [.08] HOLE DP2.5

6- $\varnothing$ 2.7 [.11] HOLE THRU

$\varnothing$ 28 [.110]



M3 TAP DP7.5 [.3] (MAX.)

[FOR REFERENCE ONLY]

Title	MX-64R	Material	Scale	Unit	Sheet	ROBOTS
Date	04/26/2012		NONSCALE	mm	1 of 3	A4