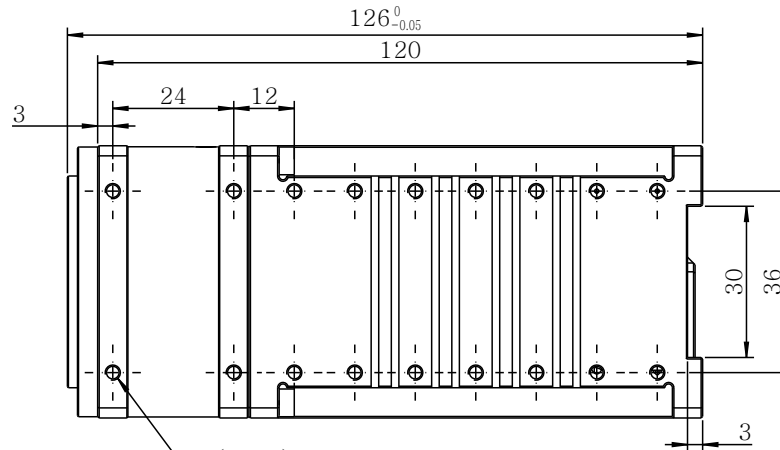
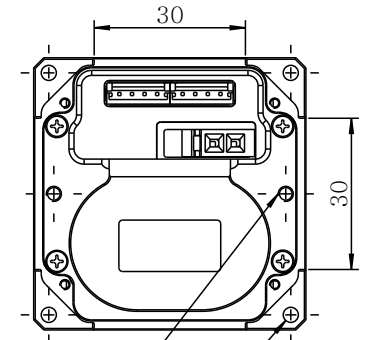


- 8-M3 x.5 TAP DP6.0
- 4-M3 x.5 TAP DP6.0
- 8- $\varnothing 2_0^{+0.01}$ HOLE DP3.0
(POSITIONING HOLES)



- (SIDE)
- 44-M3 x.5 TAP DP6.0



- 2-M3 x.5 TAP DP4.0

- 4- $\varnothing 3$ HOLE DP 6.0

REV.	DESCRIPTION	CHK	DATE

[FOR REFERENCE ONLY]

M54P-200-S500-R / M54P-060-S250-R	Material	Scale	Unit	Sheet	ROBOTS
2018/09/05		Nonescale	mm	1 of 1	A4