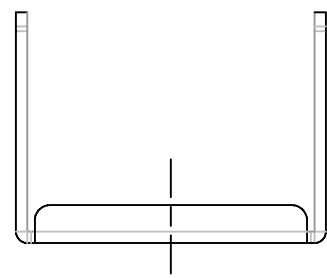
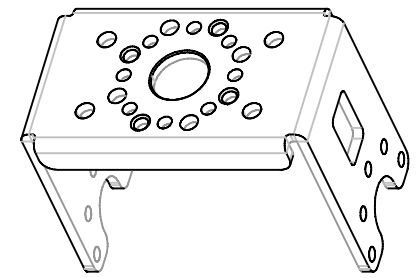


REV.	DESCRIPTION	CHK	DATE



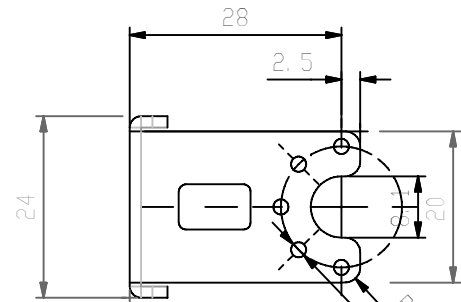
8- $\varnothing 2$  HOLE THRU  
P. C. D  $\varnothing 16$

$\varnothing 8$  HOLE THRU

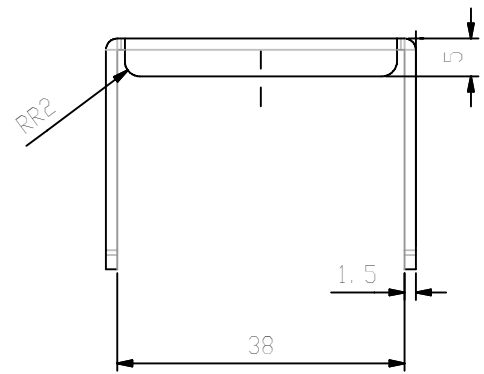
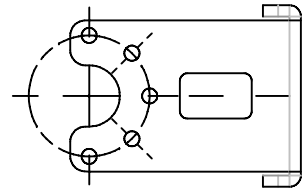
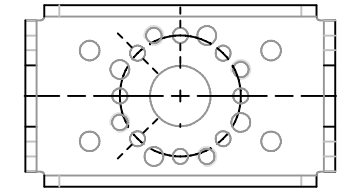
$\varnothing 2.6$

12

24



5- $\varnothing 2$  HOLE THRU  
P. C. D  $\varnothing d35$



FR12-H101	Material	Scale	Unit	Sheet	
[ FOR REFERENCE ONLY ]	10/05/2016	Nonescale	mm	1 of 1	

