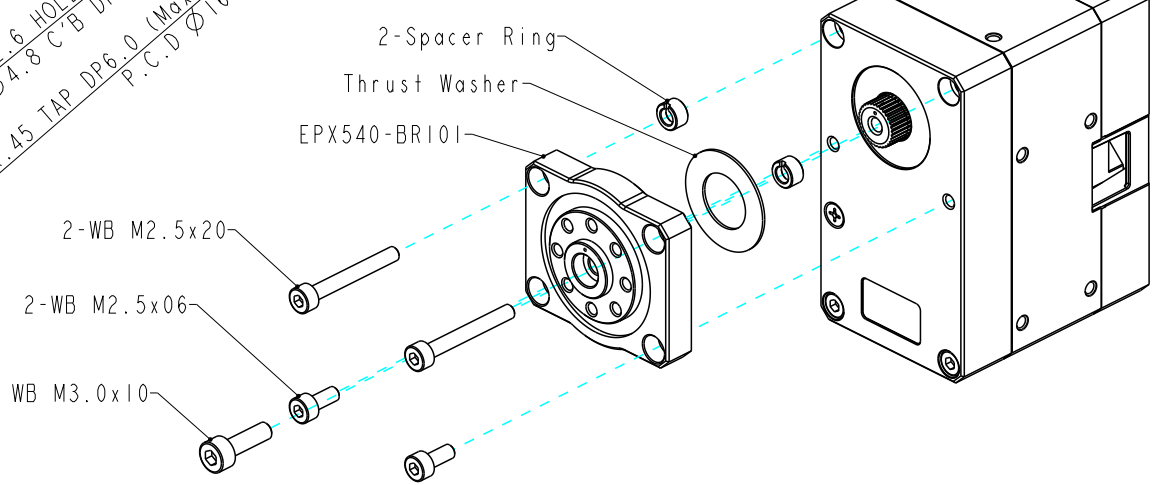


$\varnothing 3.2$ HOLE THRU
 $\varnothing 5.8$ C'B DP2.5
 $4-\varnothing 2.6$ HOLE THRU
 $4-\varnothing 4.8$ C'B DP3.5
 $8-M2.5 \times .45$ TAP DP6.0 (Max.)
 P.C.D $\varnothing 16$



REV.	DESCRIPTION	CHK	DATE

[FOR REFERENCE ONLY]

EPX540-BR101	Material	Scale	Unit	Sheet	ROBOTS
Nov-29-21		Nonescale	mm	1 of 1	A4