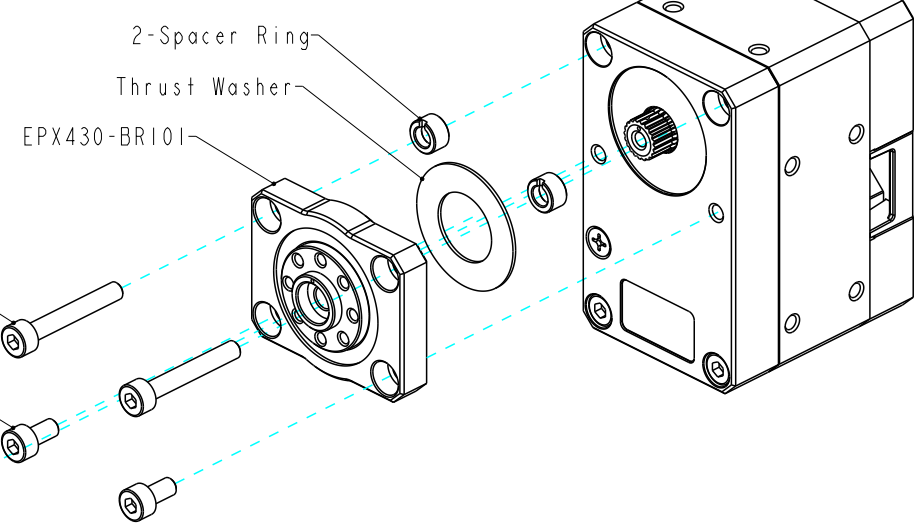


$\varnothing 3.1$ HOLE THRU
 $\varnothing 5.8$ C*B DP2.0
 $4-\varnothing 2.6$ HOLE THRU
 $4-\varnothing 4.8$ C*B DP3.0
 $8-M2 \times 4$ TAP DP5.0 (Max.)
 P.C.D. $\varnothing 12$



2-WB M2.5x17

2-WB M2.5x05

WB M2.5x08(XM430, XH430)
 WB M3.0x08(XD430)

REV.	DESCRIPTION	CHK	DATE

[FOR REFERENCE ONLY]

EPX430-BR101	Material	Scale	Unit	Sheet	ROBOTS
Nov-26-21		Nonescale	mm	1 of 1	A4