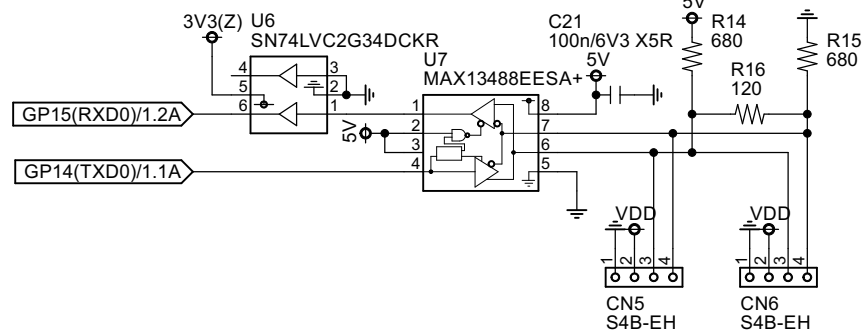
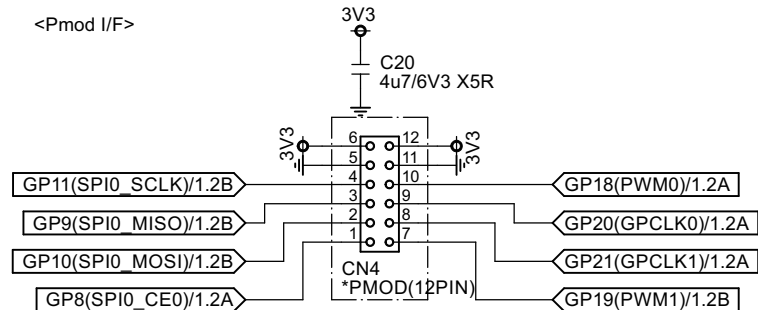


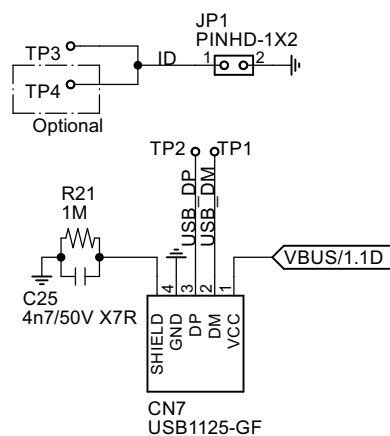
<RS-485 I/F>



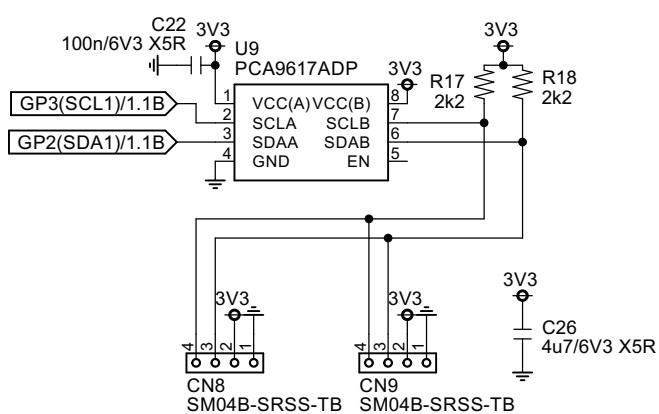
<Pmod I/F>



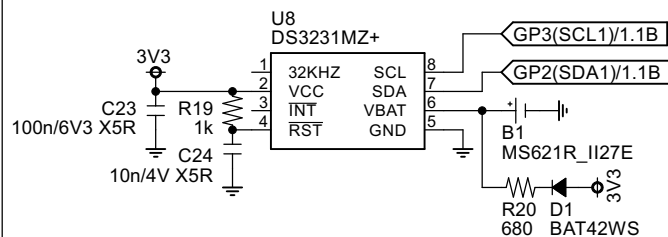
<USB I/F>



<I2C bus repeater>



<RTC>



*JP1
SHORT:DEVICE
OPEN:HOST

*TP1~4
0906-0-15-20-76-14-11-0
TP1:USB DM
TP2:USB DP
TP3:USB ID(Zero W)
TP4:USB ID(Zero 2W)

Raspberry Pi Zero W/2W HAT

TITLE: E212

REV:

Production order: Org.

Date: 2024/04/05

Sheet: 2/2

BestTechnology Co.,Ltd.