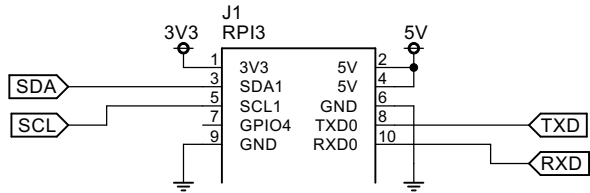
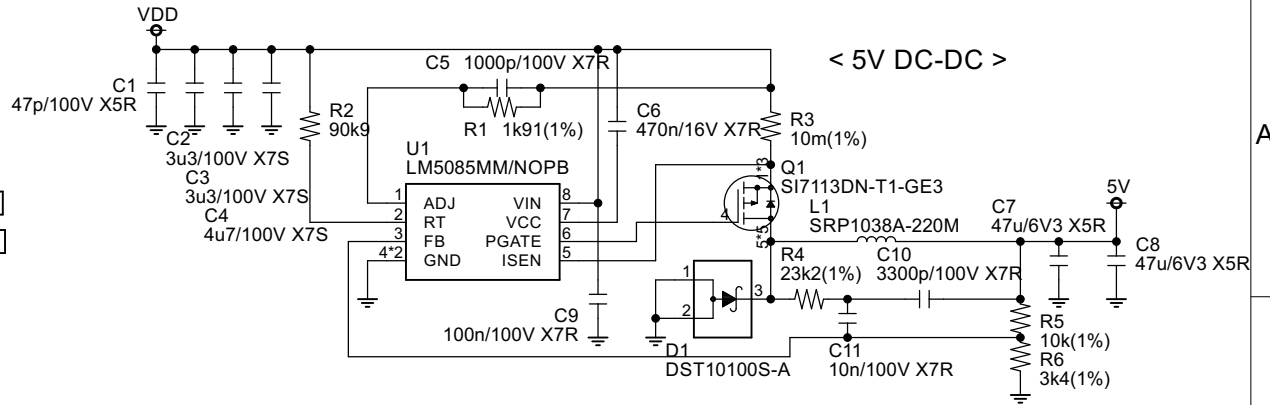


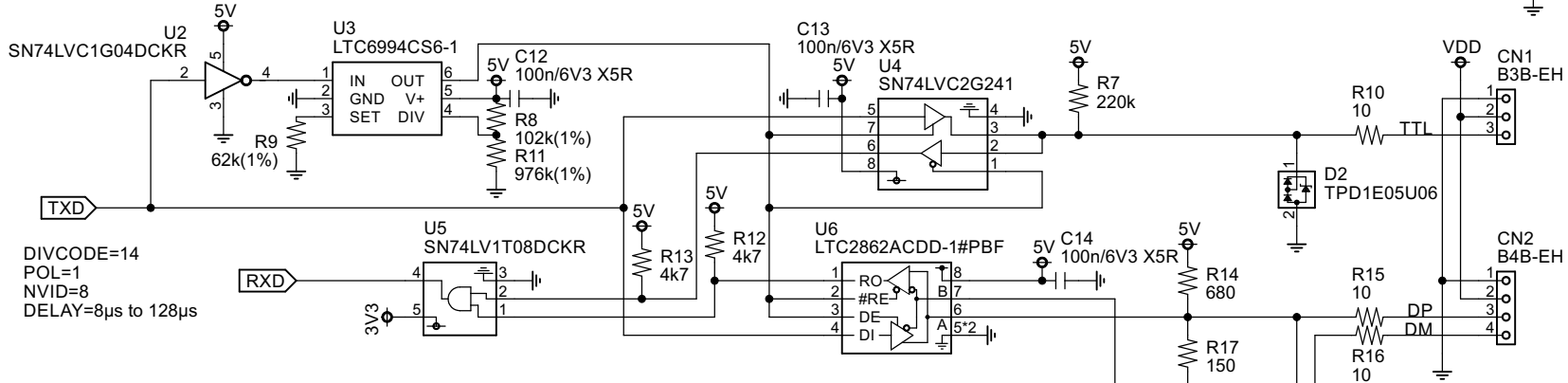
< Raspberry Pi Header >



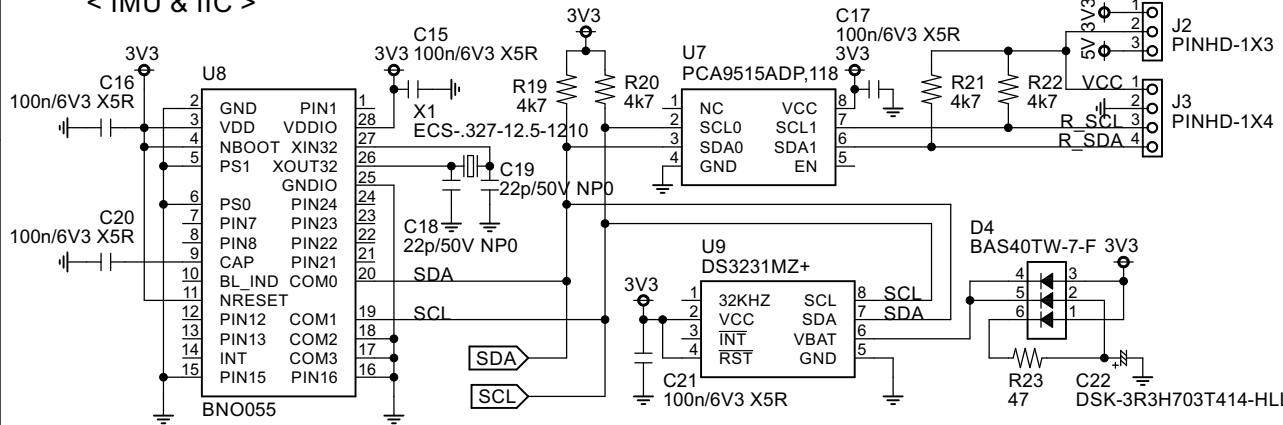
< 5V DC-DC >



< Serial I/F >



< IMU & IIC >



POWERBOARD4PI	
TITLE: E179	
REV:	
Production order: Org	
Date: 2019/10/26	Sheet: 1/1
<b>BestTechnology Co.,Ltd.</b>	