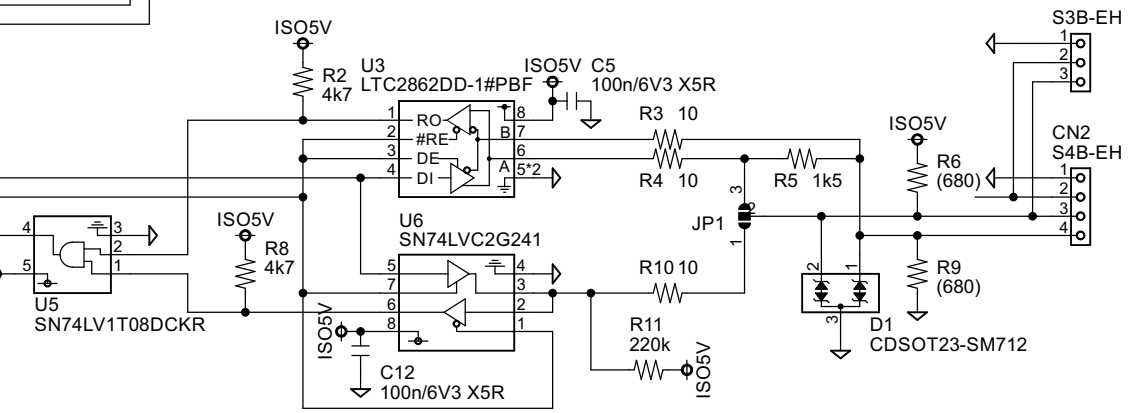
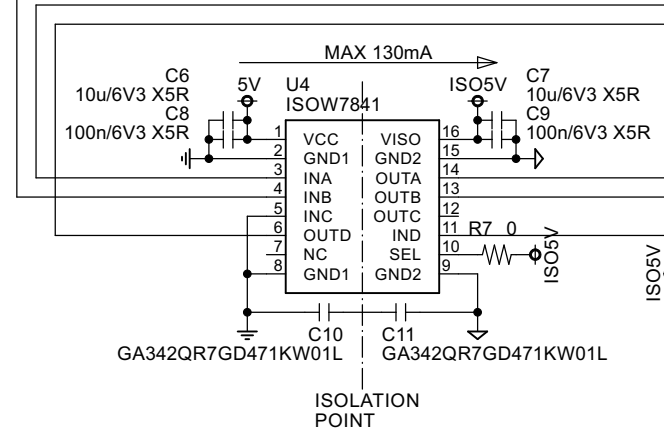


	CN2	JP1
RS-485	S4B-EH	2-3 SHORT
TTL	S3B-EH	1-2 SHORT



USB ISO RS-485/TTL DONGLE

TITLE: E160 REV:

Production order: Org

Date: 2017/07/29 Sheet: 1/1

**BestTechnology Co.,ltd.**